

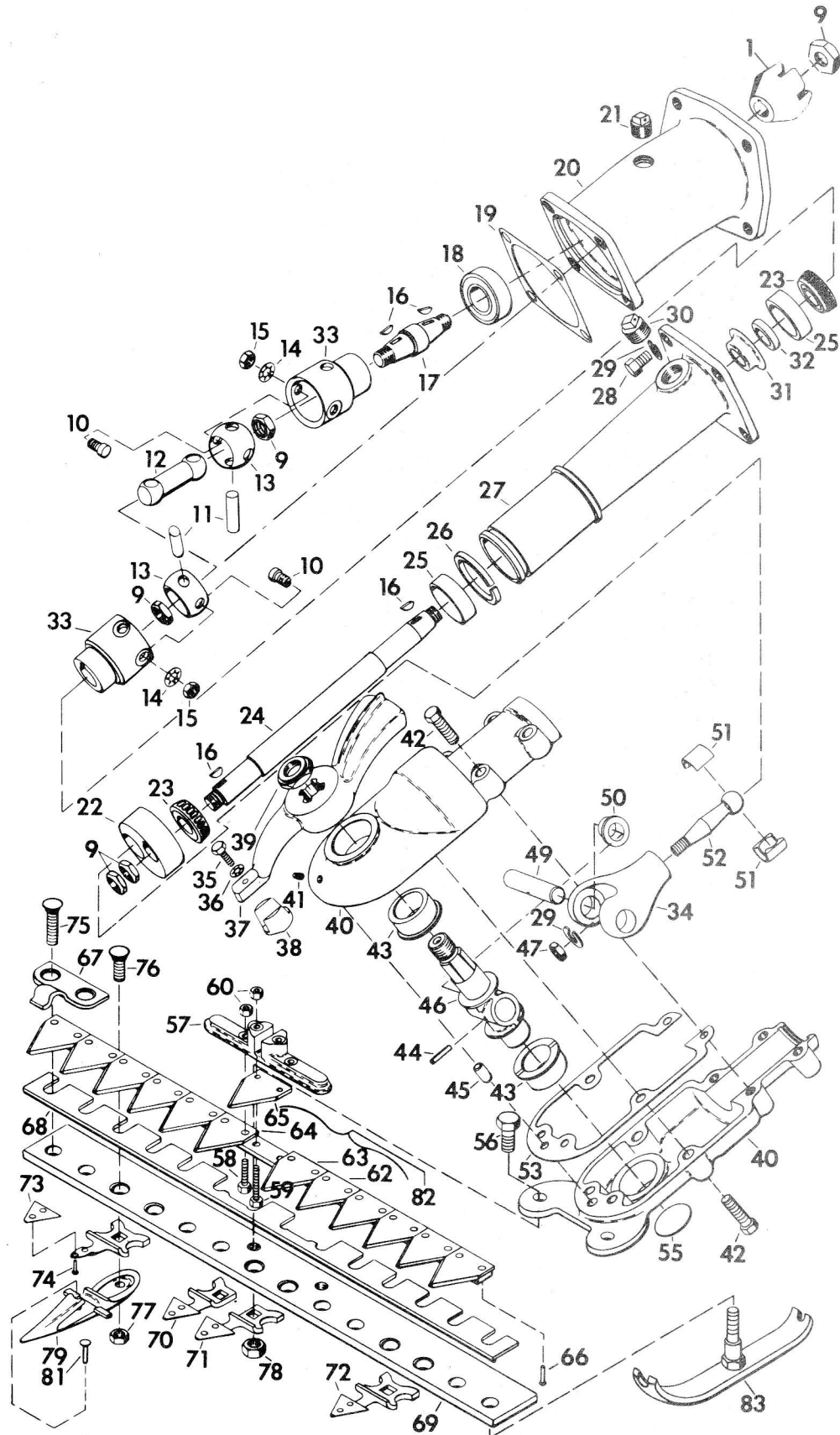


To continue its program of quality and design improvement, the manufacturer reserves the right to change specifications, design or prices without notice and without incurring obligation.

ILLUSTRATED PARTS LIST

SICKLE MOWER

Model Number 15679E1
Effective Date 12-01-72
Form Number 19930P1



ITEM NO.	PART NO.	DESCRIPTION
1	19592P1	PTO Dog Clutch
9	19918P1	5/8-24 Locknut
10	13599P1	Pivot Stud
11	13601P1	Pivot Pin
12	13602P1	Link
13	13600P1	Center Ring
14	138542	3/8 Internal Lockwasher
15	13627P1	3/8-24 Elastic Stop Nut
16	124549	#9 Woodruff Key
17	13596P1	Stud Shaft
18	13597P1	Ball Bearing
19	5056P1	Attachment Gasket
20	3197P1	Universal Housing
21	13408P1	1/2 Pipe Plug
22	13605P1	Crank Disc
23	13594P1	Roller Bearing Cone
24	13603P1	Crankshaft
25	13595P1	Roller Bearing Race
26	3173P1	Cork Seal
27	13604P1	Drive Column
28	180173	1/2-13 Hex Head Capscrew
29	120384	1/2 Spring Type Lockwasher
30	13607P1	3/4 Vented Pipe Plug
31	3151P1	Oil Seal Retainer
32	12987P1	Bearing Cap Oil Seal
33	13598P1	Universal Cup
34	10442A1	Crank Yoke Assembly
35	3154P1	Wearing Tip Bolt
36	120423	1/4 Internal Tooth Lockwasher
37	3117P1	Knife Actuating Lever
38	3182P1	Wearing Tip
39	13619P1	1-14 Thin Washer Insert Locknut
40	10476A1	Crank Housing Assembly
41	103877	1/8 Square Head Pipe Plug (Steel)
42	180129	3/8-16 x 1-7/8 Hex Head Capscrew
43	13550P1	Lever Shaft Bearing
44	455972	3/16 x 1-3/8 Split Roll Pin
45	3184P1	Crank Housing Dowel
46	13606P1	Actuating Lever Shaft
47	124934	1/2-20 Hex Jam Nut
49	3176P1	Knuckle Pin
50	3178P1	Knuckle Pin Bearing
51	3145P1	Ball Stud Bearing (Pairs Only)
52	3144P1	Ball Stud
53	3191P1	Housing Gasket
55	3198P1	Expansion Plug
56	180175	1/2-13 x 1-1/4 Hex Head Capscrew
57	3308P1	Knife Drive Bracket
58	181570	1/4-28 x 1-1/8 Hex Head Capscrew
59	181577	1/4-28 x 1-3/4 Hex Head Bolt
60	454750	1/4-28 Washer Insert Locknut
NS	10294A1	Knife Back 48"
NS	13612P1	Knife Back 60"
62	3206P1	Each Knife Section
63	13609P1	Left Knife Section
64	13610P1	Right Knife Section
65	13608P1	Center Knife Section
66	189209	3/16 x 5/8 Rivet
67	3309P1	Knife Clip
68	3314P1	Wearing Strip 42"
NS	14125P1	Wearing Strip 48"
NS	14125P1	Wearing Strip 60"
69	3301P1	Guard Bar 42"
NS	14116P1	Guard Bar 48"
NS	14117P1	Guard Bar 60"
70	10111P1	Left Guard
71	10112P1	Right Guard
72	3317A1	Shear Finger Assembly
73	3318P1	Shear Finger Plate
74	3319P1	Rivet
75	3304P1	Guard Bolt Lg.
76	3303P1	Guard Bolt Sh.
77	271501	7/16-14 Hex Nut
78	120238	1/2-13 Hex Jam Nut
79	14902A1	Single Guard Assembly
NS	10554A1	Double Guard Assembly
81	14119P1	Single Rivet
82	10293A1	Knife Assembly 42" - 3" Knives Includes Items 62, 63, 64, 65
NS	10294A1	Knife Assembly 48" - 3" Knives
NS	10295A1	Knife Assembly 60" - 3" Knives
NS	10296A1	Knife Only 42" - 2" Knives
NS	10297A1	Knife Assembly 48" - 2" Knives
NS	10298A1	Knife Assembly 60" - 2" Knives
83	3214A1	Skid (Optional)
NS	10466A1	Skid (Optional) For Use With Single Guard Assembly 14902A1 and Double Guard Assembly 10554A1